

- Built-in microSD slot
- Built-in microphone
- Built-in speaker
- Metal casing
- Support for PoE
- IR illumination up to 20 m



SV-BA114-E is a wired IP camera with a cylindrical design.

Device management

SV-BA114-E is part of the Eltex smart home ecosystem based on ELIS (Eltex IoT System) cloud platform. The user controls smart devices and sensors via a smart home hub using an iOS or Android mobile device with Eltex Home mobile application installed. It can be downloaded from the App Store and Google Play or via the QR code below.



Technical features

Interfaces

Ethernet	1 × 10/100BASE-T (RJ-45) with support for PoE
Memory card	1 × MicroSD/SDHC/SDXC up to 128 GB

Operating system

Linux SDK

Sensor

Type	Progressive scan CMOS
Physical size	1/3"
Effective pixels	4M

Lens and illumination

Focal distance	2.8 mm
Aperture	F/2.0
Field of view (horizontal)	100°
Field of view (diagonal)	116°
Angle adjustment (tilt)	from 0° to 90°
Angle adjustment (rotate)	from 0° to 360°
IR illumination	yes
IR range	up to 20 m

Image

Image	color
Maximum resolution	2560 × 1440

Technical features (continued)

Image

Maximum frame rate	20 fps (2560 × 1440), 25 fps (1920 × 1080, 1280 × 720)
Video compression	H.264, H.265
Image enhancement	DWDR, ANTI-FLICKER
Signal to noise ratio	no less than 50 dB
Luminous sensitivity	color: 0.05 lx, black-and-white: 0 lx with IR

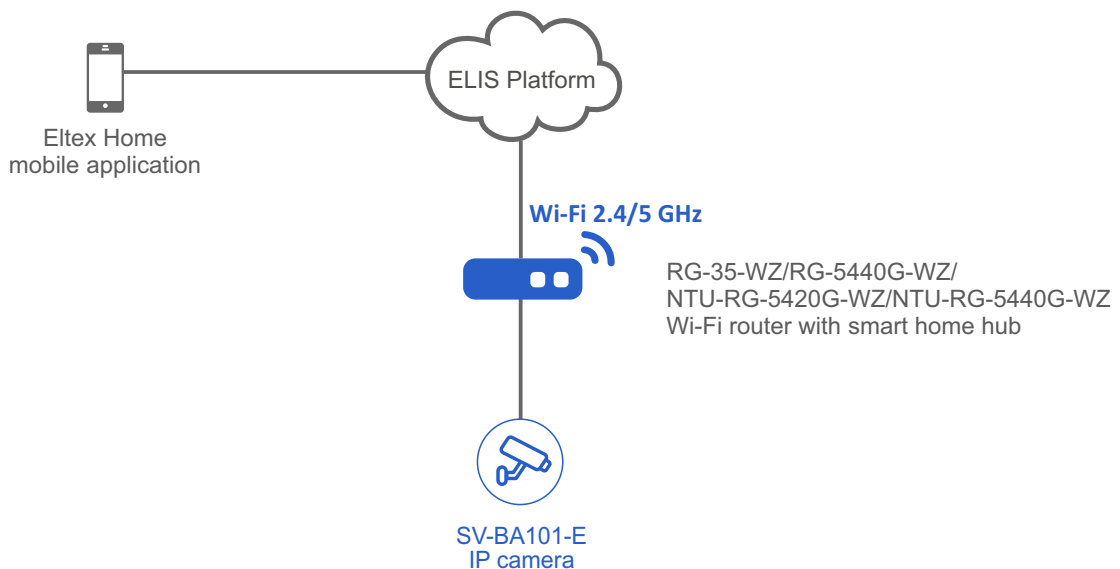
Audio

Built-in microphone	yes
Built-in speaker	yes
Audio compression	PCM, AAC, MP2
Voice pickup distance	syllabic legibility up to 5 m

Physical specifications

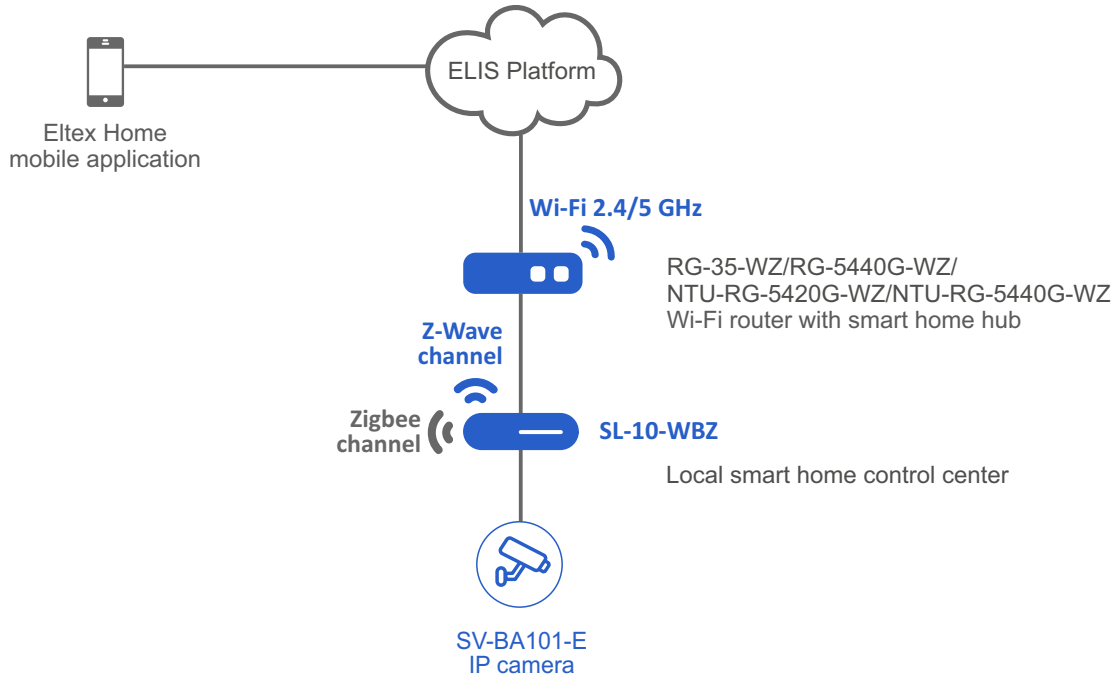
Power	12 B DC, PoE 802.3af (Mode A) ¹
RAM	128 MB
ROM	32 MB
Casing	metal
Form factor	cylindrical camera
Mount options	outdoor and indoor
Dimensions (W × H × D)	70 × 67 × 186 mm
Weight	0.38 kg
Operating temperature	from -40 to +60 °C
Operating humidity	no more than 90 % (non-condensing)
Ingress protection	IP65

Use case



¹ Does not support PoE Mode B (power over pairs 4/5 and 7/8).

Use case in combination with SL-10-WBZ



Scenarios

With the Eltex Home mobile app, it is possible to create chains of conditions for IP camera and smart Wi-Fi devices to work together. For example, SV-BA101-E can be used in the following scenarios:

1. Automatic video recording and user notification triggered by the door sensor.



2. Automatic video recording and user notification when the motion sensor is triggered.



Analytics

– Motion sensor

Features and capabilities

- Night vision
- Storage: memory card, network storage¹
- Management via web interface
- Non-volatile time (up to 24 hours)

¹ Under development.

Ordering information

Name	Description
SV-BA101-E	SV-BA101-E IP camera

Contact us

About Eltex



+7 (383) 274 10 01
+7 (383) 274 48 48



eltex@eltex-co.ru



eltex-co.com

Eltex Enterprise is a leading Russian developer and manufacturer of communication equipment with 30 years of history. Complete solutions and their seamless integrability into the Customer's infrastructure are the priority growth areas of the company.